

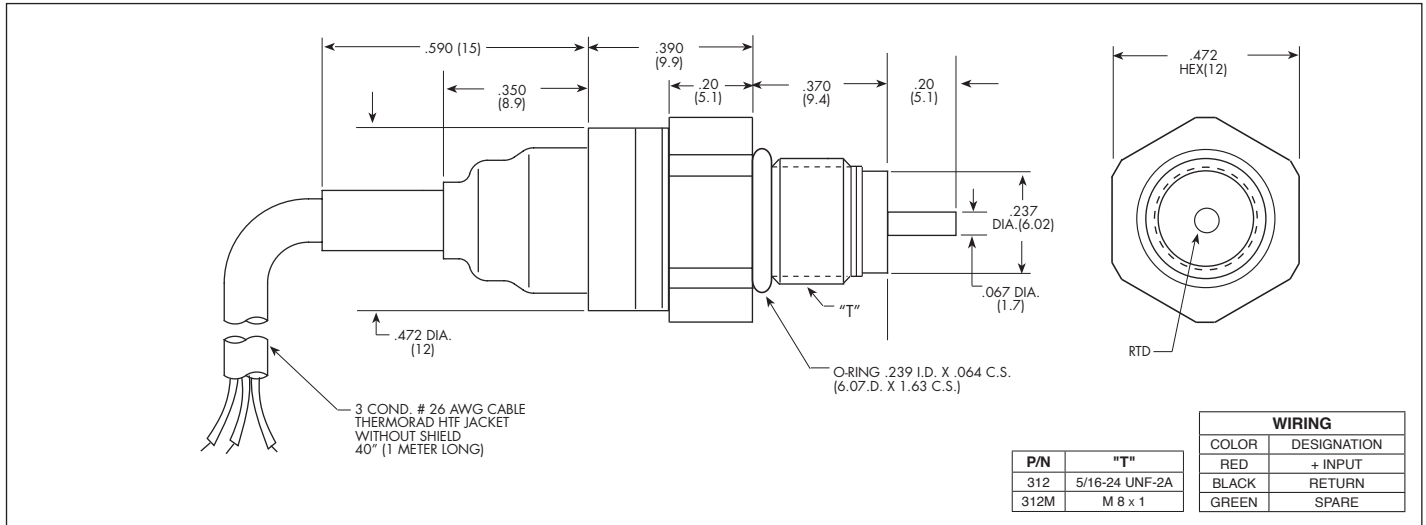


TEMPERATURE SENSOR

TTS-X-312(M) SERIES

- Robust Construction
- Excellent Long Term Stability
- Fast Response Time
- High Temperature
- Excellent For High Vibration and Thermal Shock
- Low Self Heating
- High Reliability

The TTS-312 utilizes a thin film platinum temperature sensor which provides a short response time as well as high accuracy and long-term stability over a wide temperature range.



SPECIFICATIONS	
Temperature Range	-150°F to +400°F (-100°C to +200°C)
Pressure Range	3000 PSI (207 Bar) Max
Media	Any Fluid Compatible With 15-5 and 316 Stainless Steel
Sensing Principle	Thin Film Platinum Class A RTD Per DIN EN 60751 (IEC 751) Temperature Coefficient .00385 Ω/Ω/°C
Nominal Resistance at 0°C	TTS-A-312(M) 100 Ohms TTS-B-312(M) 500 Ohms TTS-C-312(M) 1000 Ohms
Excitation	1mA (2mA Max.)
Accuracy	± 1°C (Typ.)
Response Time	2 Sec. (Typ.)
Steady Acceleration and Linear Vibration	100g Peak, Sine up to 5000 Hz
Electrical Connection	#26 AWG, 3 Conductor Cable, 40" (1 Meter) Long
Weight	20 Grams (Nom.) Excluding Cable
Mounting Torque	50 Inch-Pounds (Max.) 6Nm

*Note: Other resistance values available on request as well as mechanical configurations..

Note: Custom pressure ranges, accuracies and mechanical configurations available. Dimensions are in inches. Dimensions in parenthesis are in millimeters. All dimensions nominal. (G) Continuous development and refinement of our products may result in specification changes without notice. Copyright © 2014 Kulite Semiconductor Products, Inc. All Rights Reserved.

Kulite miniature pressure transducers are intended for use in test and research and development programs and are not necessarily designed to be used in production applications. For products designed to be used in production programs, please consult the factory.